



OWH
Open Weld Heads

For more
information
please visit
our website:

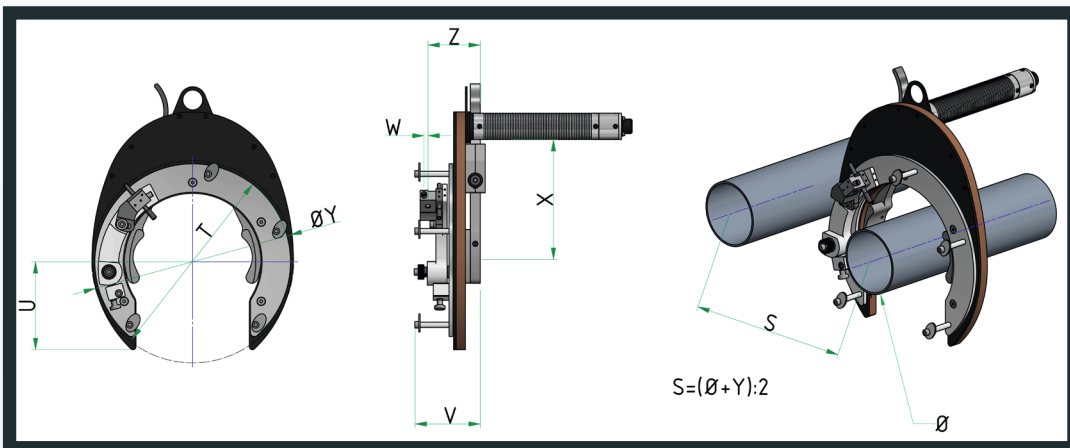


www.orbitalservice-group.com

OWH

Open Weld Heads

- Handy orbital welding head
- First-class arranged engine and gear
- Operation with water- or gas cooled TIG-torches
- Compatible to Orbitec-heads
- Also available in tachogenerator-version (AMI, Orbitalum, Magnatech, ESAB, ...)
- Various attachment-possibilities of cold wire-holders
- Accessories: Stabile suitcase with first-class foam material-insert
- Torch holders are made of high-strength aluminium. The dimension Z is more expanded due to the necessary isolation to the weld head. If required, slim plastic holders are available. -> Minor endurance like our competitors' holders.



DATA //

weld head	range		range with screwing clamps		weight without hose package		
OWH - 76	10 mm - 80 mm		10 mm - 40 mm		3, 0 kg		
OWH - 114	20 mm - 115 mm		20 mm - 50 mm		4, 5 kg		
OWH - 168	25 mm - 170 mm		25 mm - 80 mm		6, 5 kg		
OWH - 273	101 mm - 273 mm		101 mm - 170 mm		15, 0 kg		
	T	U	V	W	X	Y max	Z
OWH - 76	141	65	98,3	7	90	235	79
OWH - 114	200	92	99,3	7	130	322	79
OWH - 168	297	133	99,3	7	185	476	79
OWH - 273	450	220	126	7	270	450	100

For more information please visit our website:



ORBITALSERVICE GmbH • Kreuzdelle 13 • D-63872 Heimbuchenthal

✉ info@orbitalservice.de

🌐 www.orbitalservice-group.com

☎ +49 (0) 6092 82294 0

☎ +49 (0) 6092 82294 09